

# TECHNICAL DATA SHEET & CERTIFICATE OF CONFORMITY

File: dromex tds 3020.docx  
Revision: 01 (15 July 2016)  
Page: 1 of 2



**Dromex**

## DROMEX 3000 DISPOSABLE FLAT FOLD RESPIRATOR DROMEX 3020

**3020 FFP2 NR D**

**EN149:2001+A1:2009**

### Description:

All the DROMEX 3000 series masks are suitable for use against solid & water based liquid aerosols and comply with the requirements of the PPE directive 89/686/EEC. These 3000 series disposable masks are designed for comfort and performance during the complete 8hour design period and beyond. The flat fold mask is Dolomite tested for resistance to clogging.

### Specifications:

Tested for Solid and Liquid aerosols

Class:	FFP2 NR D
Protection Factor (NPF):	12.5 x OEL
Assigned Protection Factor (APF):	10 x APF
Particulate size distribution:	0.6 µm (MMD) & 0.4 µm (SD)
Total Inward Leakage:	<8%
Penetration:	<6%
CO2 content of inhalation:	< 1%
Filtering Efficiency:	94%
Dolomite Tested:	DRB 4/15 dolomite @ 4mBar for 95 l/min



**CE 0086**

**APPROVAL  
NRCS 8072/0167**

### Compliance & Conformity:

NRCS Homologated to SANS 10338: 1999 as required by the Occupational Health and Safety Act, 1993 (Act No. 85 of 1993), and the Mine Health and Safety Act, 1996 (Act No. 29 of 1996). Particle filtering half mask EN149: 2001 +A 1:2009 FFP2 NR D, NRCS Type Approval No.: NRCS/8072/0167. CE EN approval as per BSI 0086, Type Examination No. 80037 – FFP2 Class and Type Examination No. 59868 FFP2 NR D. BSI Product Services test report 255/4794719 have passed all requirements of CE EN 149:2001+A1:2009 for FFP2 NR D.

Dolomite tested as per BSI test 255/7633484/ 2 of 3, FFP2 NR D and BSI EC certificate CE59863 for disposable mask EN149:2001+A1:2009, FFP2 NR D.

Quality System as per ISO9001:2008 certificate HK01/00703 as issued by SGS, UKAS approval number 005.

### Packaging, Storage & Obsolescence:

3020 - Packed 20 masks individually sealed in plastic packets in a box and 20 boxes in a carton for shipping. The masks are NRCS homologated for boxes of 20.

Store in a cool dry place. The expiry date of each item is indicated on the cartridge.



### Cleaning & Maintenance:

This is a disposable item so no cleaning nor maintenance is required.

### Special Instructions:

All respiratory selection should be read in conjunction with BS EN 529:2005 "Respiratory Protective devices – Recommendations for selection, use, care and maintenance".

Do not use these respirators or enter in area where:

The Oxygen concentration is not known or is less than 19.5%.

Contaminants or their concentrations are unknown or are known to be immediately dangerous to life or health.

Particulate concentrations exceed levels fixed by the applicable health and safety regulations or protection factor 12.5 NPF whichever is lower.

Gases and/or vapours are present except for respirators designated as protecting against vapours, in which case vapour concentrations should not exceed 12.5 NPF.

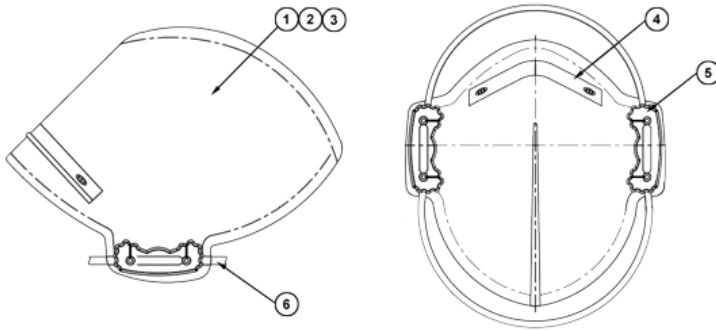
The requirement for leak tightness is unlikely to be achieved if worn against a beard or facial stubble.

Not to be used for firefighting.

These respirators do not supply oxygen. Do NOT use in oxygen deficient atmospheres (e.g. tanks or other poorly ventilated areas).

Do not use in explosive atmospheres.

**Materials:**



- 1 115gsm Polyester fabric.
- 2 P2 Melt Blown filter medium.
- 3 42gsm Polypropylene non-itch mask body.
- 4 White plastic coated nose bridge adjuster.
- 5 HDPE head band adjuster.
- 6 Elastic head band.
- 7 Foam Nose comfort strip. (not shown)

**Marking:**

Each mask is marked as indicated below:  
3020



3020 FFP2 NR D  
EN149:2009  
CE 0086

**Disposal:**

All industrial waste should be disposed of correctly according to local regulations and good disposal practice. Respiratory protective devices should be disposed of considering the hazardous substance they were used for. Please consider recycling.

