

# TECHNICAL DATA SHEET & CERTIFICATE OF CONFORMITY

File: dromex tds DH-101  
Revision: 01 (04 February 2016)  
Page: 1 of 2



**Dromex**

## DROMEX SINGLE PVC MIDI HALF MASK DH-101

## MIDI HALF MASKS

EN140:1998

### Description:

The MIDI SINGLE HALF MASK with high performance exhalation valve, a blue PVC mask body with soft seal face area and multi profile moulding. The head band has a dual elastic head band with quick release toggles and head mask release buckle. These half masks are designed to work with the UNIFIT SINGLE CARTRIDGE FILTER SYSTEM

### Special Features:

- Pressure correcting pivot headband attachment that ensures an even seal.
- Soft comfortable large flange face seal for additional seal and comfort.
- Quick release headband for easy donning and doffing of the respirator.
- High efficiency exhalation valve.

### Specifications:

There are no metal fittings on this device

Resistance to temperature: 24hr dry atmosphere:  $+70^{\circ}\text{C} \pm 3^{\circ}\text{C}$  &  $-30^{\circ}\text{C} \pm 3^{\circ}\text{C}$   
The inward leakage:  $<5\%$  of the inhaled air & mean result not exceeds  $2\%$ .  
CO<sub>2</sub> content of the inhaled air  $<1.0\%$ .

Head harness: Withstands 50N for 10s  
Flammability:  $800^{\circ}\text{C} \pm 50^{\circ}\text{C}$  burner tip with a flame at  $6 \pm 0.5\text{cm}$   
Exhalation Valve: Continuous exhalation flow of 300 l/min over a period of 30s.  
Housing and its attachment withstood an axial tensile force of 50N applied for 10s.

### Compliance & Conformity:

NRCS Homologated to SANS 10338: 1999 as required by the Occupational Health and Safety Act, 1993 (Act No. 85 of 1993), and the Mine Health and Safety Act, 1996 (Act No. 29 of 1996). Half Masks EN140:1998. NRCS Type Approval No.: AZ 2011/43. CE EN approval as per BSI 0086, Type Examination No. 69552 – UNIFIT Half Mask as per approval from IOM (Institute of Occupational medicine) EH8 9SU, WHO collaborating centre for occupational health. Testing in accordance with BS 7356: 1990 EN140:1998 per test report AP/530/268(a), contract No.: AP/530/268.

Quality System as per ISO9001:2008 certificate HK01/00703 as issued by SGS, UKAS approval number 005.

### Packaging, Storage & Obsolescence:

Each Midi mask is packed individually in a retail packet complete with a plastic euro slot hanger. 40 retail packets per carton. NRCS homologated in the individual retail packs. The black plastic shipping cover must be removed prior to use and the cover form should be disposed of in the appropriate manner.

Store in a cool dry place. The masks if stored correctly should have a shelf life of five years.



### Cleaning & Maintenance:

Respirator should be cleaned, checked for worn or damaged parts after each shift or each use (if not used continuously). If filter cartridge is to be re-used do not remove from respirator, but clean filter with cloth & warm soapy water. Dry with a clean cloth. Water must not enter the filter cartridge. To carry out a more thorough cleaning of the respirator, remove the filter cartridge and exhalation valve and wash the complete respirator body in warm, soapy water and dry. Re-fit components in reverse order from which they were removed. Care should be taken not to damage inhalation/exhalation rubber valves. Condition of the valves should be checked weekly and replaced if damaged/deteriorated.

DO NOT USE SOLVENTS, STRONG DETERGENTS, BLEACHES OR PETROLEUM BASED PRODUCTS TO CLEAN ANY PART OF MASK.

### Special Instructions:

All respiratory selection should be read in conjunction with BS EN 529:2005 "Respiratory Protective devices – Recommendations for selection, use, care and maintenance".



NRCS APPROVAL AZ2011/43



Do not use these respirators or enter in area where:

The Oxygen concentration is not known or is less than 19.5%.

Contaminants or their concentrations are unknown or are known to be immediately dangerous to life or health.

Particulate or gas concentrations exceed levels fixed by the applicable health and safety regulations.

The requirement for leak tightness is unlikely to be achieved if worn against a beard or facial stubble.

Not to be used for firefighting.

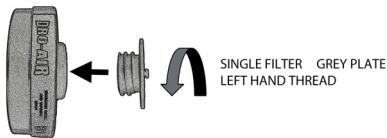
These respirators do not supply oxygen. Do NOT use in oxygen deficient atmospheres (e.g. tanks or other poorly ventilated areas).

Do not use in explosive atmospheres.

**Fitting Instructions:**

Straps should not be twisted or covering any part of the ear. Place the headband over your head with the masks nose piece facing up. The mask must be donned complete with all cartridges and pre-filters. Ensure the headband is correctly placed on the neck and place the plastic headband fastener in each hand and attached around the head with the headband above the ears and fasten the plastic clip. Adjustments should be made via the two elastic attachment points on the plastic clip. Wearers chin should fit comfortably into bottom of the respirator. To check efficiency, place a piece of card in front of filters, inhale, and respirator should contract sharply.

Changing filter cartridge: Remove pre-filter cover and unscrew filter cartridge. Remove from mask together with connector and dispose of hygienically and safely. Clean respirator. Re-fit a new UNIFIT filter complete with valve as per the instructions supplied with the cartridge.



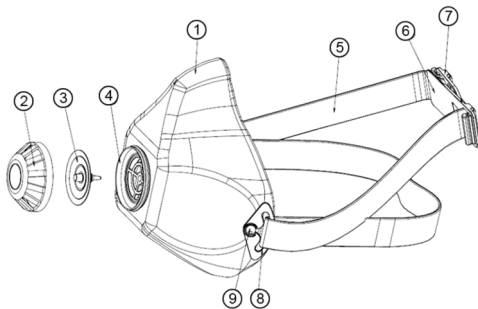
**UNIFIT FILTERS**

**Available Cartridges and Filters:**

|           |       |                                   |       |
|-----------|-------|-----------------------------------|-------|
| DHCS-A1   | A1    | ORGANIC CLASS 1                   | A1P2  |
| DHCS-B1   | B1    | INORGANIC CLASS 1                 | B1P2  |
| DHCS-K1   | K1    | AMMONIA & ORGANIC AMMONIA CLASS 1 | K1P2  |
| DHCS-P2   | P2    | PARTICULATE FILTER CLASS 2        | ----- |
| DHCS-P2PF | P2 PF | PARTICULATE PRE-FILTER CLASS 2    |       |

Use genuine DROMEX UNIFIT gas cartridges and particulate pre-filters.

**Materials:**



- 1 Blue PVC Mask Body
- 2 Black Polypropylene Valve Cover
- 3 Black Silicon Valve Piece
- 4 Black Polypropylene Valve Seat
- 5 Black/Blue 20mm Elastic Headband
- 6 Black Polypropylene Buckle - M
- 7 Black Polypropylene Buckle - F
- 8 Black Polypropylene Swivel Clip
- 9 Black Polypropylene Locating Pin

**Marking:**

Marking on the front of the mask is the type and model number, DroAir DH-101

The marking inside the mask is the manufacturers name or brand, DROMEX



**Disposal:**

All industrial waste should be disposed of correctly according to local regulations and good disposal practice. Respiratory protective devices should be disposed of considering the hazardous substance they were used for. Please consider recycling.

